



C 150 A HC

LIST OF THE EXPLODED VIEWS



SHELL ASSY

COOLING SYSTEM

HYDRAULIC CIRCUIT

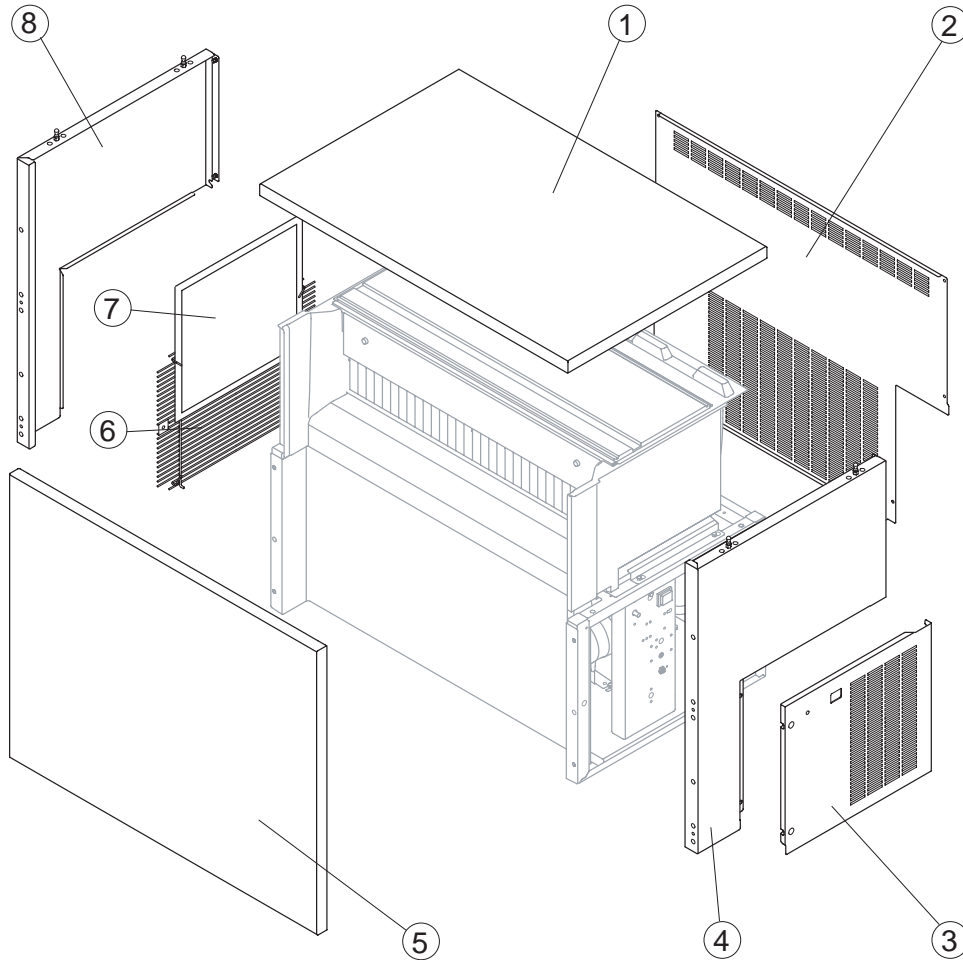
ELECTRIC PARTS

Rev.00 - 05/10/2020



C150AHC

SHELL ASSY

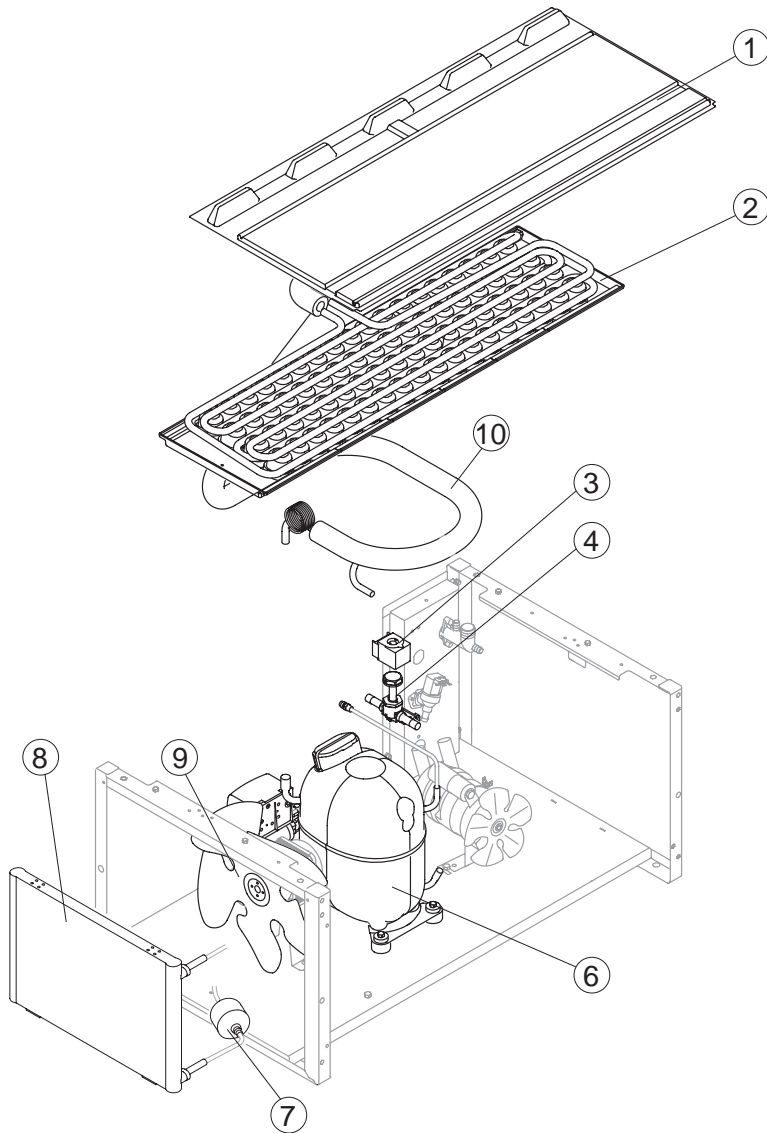


Ref.	Spare Description	Code
1	Top	C221683
2	Rear Panel	221692
3	Right Panel	221685
4	Right Side Panel	C221684
5	Front Panel	C221803
6	Side Grid	D12093
7*	Filter	18246
8	Left Side Panel	C221686



C 150 A HC

COOLING SYSTEM



Ref.	Spare Description	Code
1	Evaporator Cover Panel	10454
2	Evaporator	See Table
3*	Hot Gas Valve Coil	231294
4*	Hot Gas Valve Body	201162
6	Compressor	231295
7*	Solid Core Drier	141003
8	Air Condenser	201224
9	Sucking Fan	20407
10	Suctin Line	for the spare parts code give us the s/n.

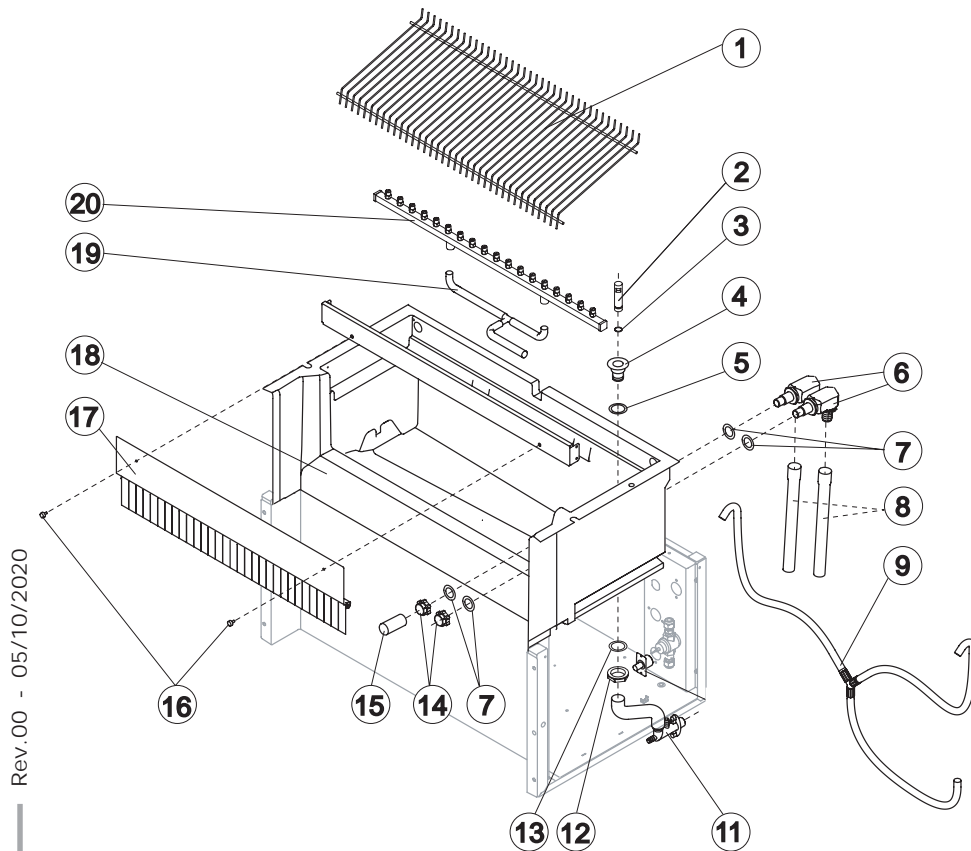
Ref. 2 - Evaporator

Kind of Cube	Code
18 g. (Standard)	D10214
33 g.	D10092
13 g.	D10126
42 g.	D10477
60 g.	D10555



C150AHC

HYDRAULIC CIRCUIT



Ref.	Spare Description	Code
1	Ice Cubes Slide	See Table
2*	Overflow Pipe	10133
3*	OR Gasket for Overflow Pipe	20233
4	Water Outlet Nipple	10472
5	Gasket	13219
6	Fitting of the Pump Suction/Delivery Pipes	C10653
7	Gasket for Pump Suction/Delivery Pipes	13220
8	Pump Suction/Delivery Pipe	C13175275
9	Tubo Ingresso Acqua Evaporatore	C13189
11	Discharges Manifold	C10366
12	Bin Discharge Nut	10096
13	Semirigid Polyethylene Gasket	13007
14	Fitting Locking Ring	10654
15*	Pump Suction Filter	20005
16	Fixing Screw	20009
17	Flags Support Assy	C22134
18	Foamed Basin	C11224
19	Sprayers Feeding Pipe Connection	C13037
20*	Sprayers Bar Assembly	See Table

Ref. 1 - Ice Cube Slide

Kind of Cube	Code
18 g. (Standard)	D12098
33 g.	D12033
13 g.	D12040
42 g.	D12033
60 g.	D12084

Ref. 20* - Sprayers Bar Assy

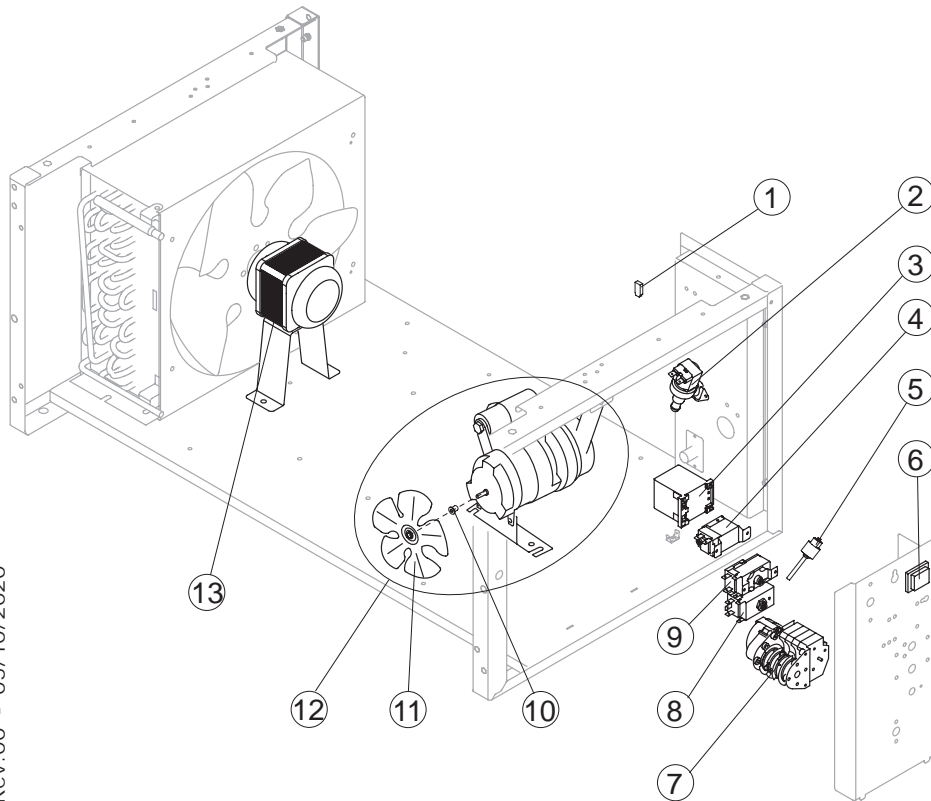
Kind of Cube	Code
18 g. (Standard)	C20144
33 g.	C20157
13 g.	C20200
42 g.	C20157
60 g.	C20941

Rev.00 - 05/10/2020



C 150 A HC

ELECTRIC PARTS



Ref.	Spare Description	Code
1	Anti Radio Interference Filter	C23459
2*	1 Way- Water Inlet Valve	See Table
3*	Contactors	23594
4*	Condenser Pressure Switch	231123
5	Safety Pressure Switch	231142W
6*	On/Off Rocker Switch	23327
7*	Timer	See Table
8*	Bin Thermostat	23421
9*	Evaporator Thermostat	23591
10	Fan Fixing Hub	10014
11	Sucking Fan	10213
12*	Pump Assy	RC23462
13*	Fan Motor	23121

Ref. 2* - 1 Way- Water Inlet

Voltage	Cube 18g/13g	Cube 33g	Cube 42g/60g
220-240V /50Hz	23001	23220	23220

Ref. 7* - Timer

Voltage	Cube18g	Cube33g	Cube13g	Cube42g	Cube60g
220-240V /50Hz	23222	23248	23472	23780	23922